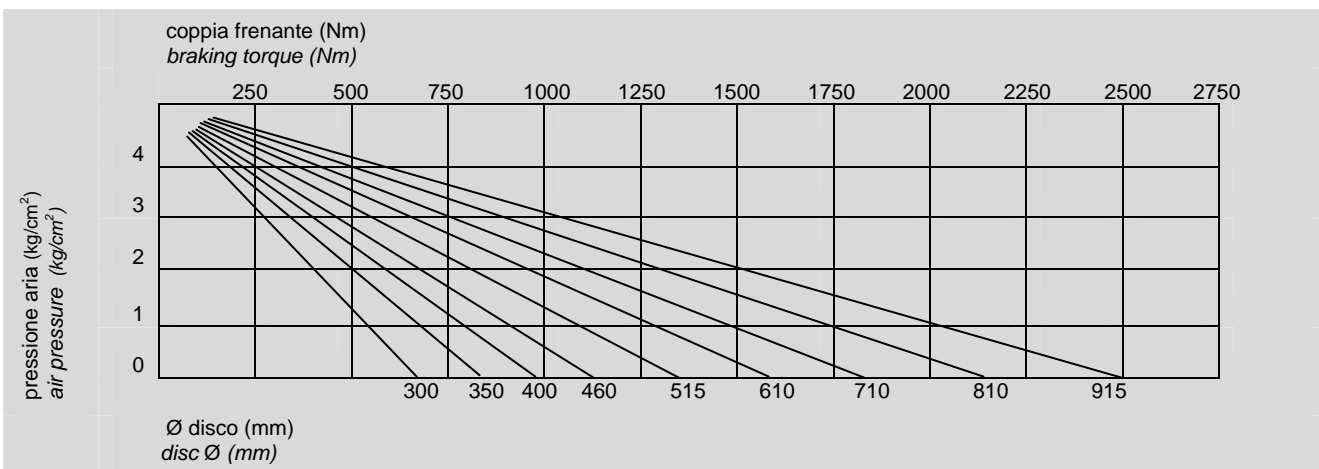


**FRENO A PINZA  
PNEUMATICO NEGATIVO  
Tipo SPX N20**

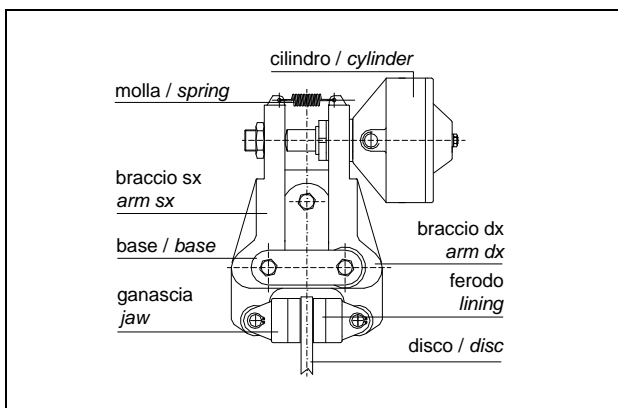
**PNEUMATIC CALIPER  
BRAKE SPRING APPLIED  
Type SPX N20**

**PRESTAZIONI (5 bar) • PERFORMANCES (5 bar)**

| tipo - size | forza F – force F (N) | Ø disco – disc Ø (mm) | coppia M - torque M (Nm)                       | V aria - air V (dm <sup>3</sup> ) | peso - weight (kg) |
|-------------|-----------------------|-----------------------|--|-----------------------------------|--------------------|
| SPX N20     | 5900                  | 300 ÷ 915             | $M = F \times (\frac{\varnothing}{2} - 0,033)$ | 0,3                               | 13,4               |



**NOME PARTICOLARI • PARTS NAME**



**ESEMPIO MONTAGGIO • MOUNTING EXAMPLE**

