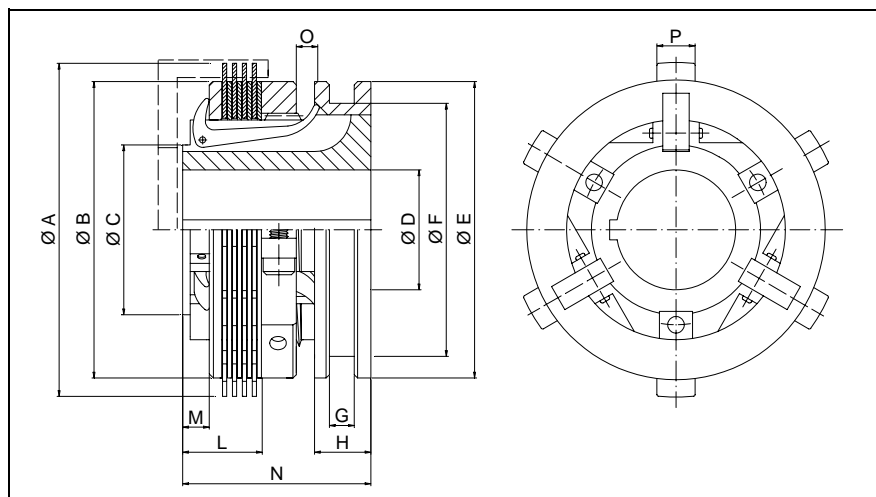




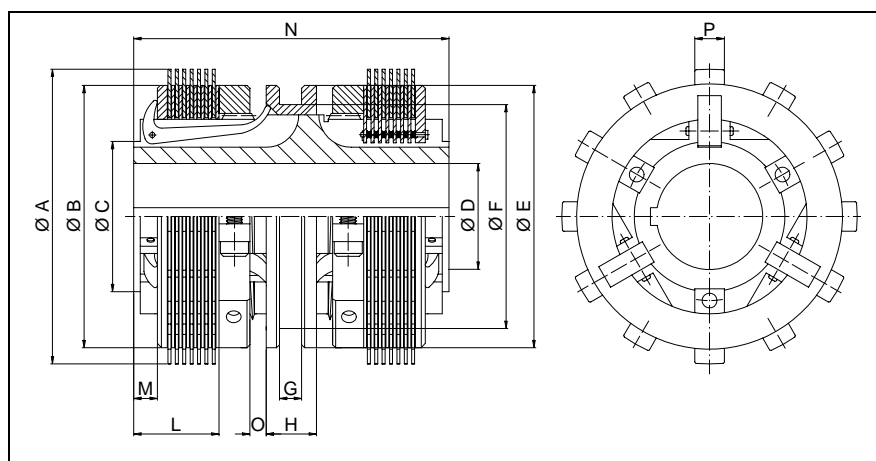
**FRIZIONI MECCANICHE
SEMPLICI CON
LAMELLE SINTERIZZATE
Serie FSS**

**SINTER PLATE MECHANICAL
SINGLE CLUTCHES
Model FSS**



**FRIZIONI MECCANICHE
DOPPIE CON LAMELLE
SINTERIZZATE
Serie FDS**

**SINTER PLATE MECHANICAL
DOUBLE CLUTCHES
Model FDS**



DIMENSIONI - DIMENSIONS (mm)

tipo - size		A	B	C	D	E	F	G	H	L	M	NS	ND	O corsa - range	P	n°lamelle tabs nr
FSS 330	FDS 330	84	76	38	28	75	60	10	22	26	11	75	120	10	18.7	6
FSS 335	FDS 335	97	89	45	32	90	75	14	26	28	13	83	132	11	18.7	6
FSS 440	FDS 440	111	102	56	42	100	85	15	30	34	14	90	142	11	18.7	6
FSS 445	FDS 445	125.5	114.5	60	48	110	95	15	35	38	14	95	154	15	20.2	6
FSS 450	FDS 450	140	127	65	50	125	110	15	40	41	17	110	164	20	21.9	6
FSS 455	FDS 455	152.2	140	65	50	125	110	15	40	41	17	110	164	20	15.5	12
FSS 660	FDS 660	167	152	80	60	145	125	20	42	54	17	131	206	20	15.5	12
FSS 760	FDS 760	167	152	80	60	145	125	20	42	59	17	131	206	20	15.5	12
FSS 670	FDS 670	193	178	80	60	145	125	20	42	61	23	131	208	25	18.7	12
FSS 770	FDS 770	193	178	80	60	145	125	20	42	67	23	137	220	25	18.7	12

PRESTAZIONI - PERFORMANCES

tipo - size		coppia - torque (Nm)		giri/min max max RPM	forza d'innesto thrust force (Nm)	peso - weight (Kg)		n°lamelle plates nr
		M _{stat}	M _{dyn}			FSS	FDS	
FSS 330	FDS 330	59	44	3800	120	1.4	2	3/4
FSS 335	FDS 335	98	78	3700	160	1.6	2.7	34
FSS 440	FDS 440	161	122	3600	200	3.8	5.3	4/5
FSS 445	FDS 445	225	176	3400	240	5.2	7.8	4/5
FSS 450	FDS 450	333	254	3200	260	6.8	8.7	4/5
FSS 455	FDS 455	382	284	3000	360	8.5	13.6	4/5
FSS 660	FDS 660	745	568	2800	400	10	17.8	6/7
FSS 760	FDS 760	902	686	2800	400	11	19.8	7/8
FSS 670	FDS 670	1274	980	2400	460	12.5	20	6/7
FSS 770	FDS 770	1490	1137	2400	460	14	23	7/8

M_{stat} = Coppia con dischi fermi tra loro / Torque at discs stationary between themselves

M_{dyn} = Coppia con dischi in movimento tra loro / Torque at discs in motion between themselves