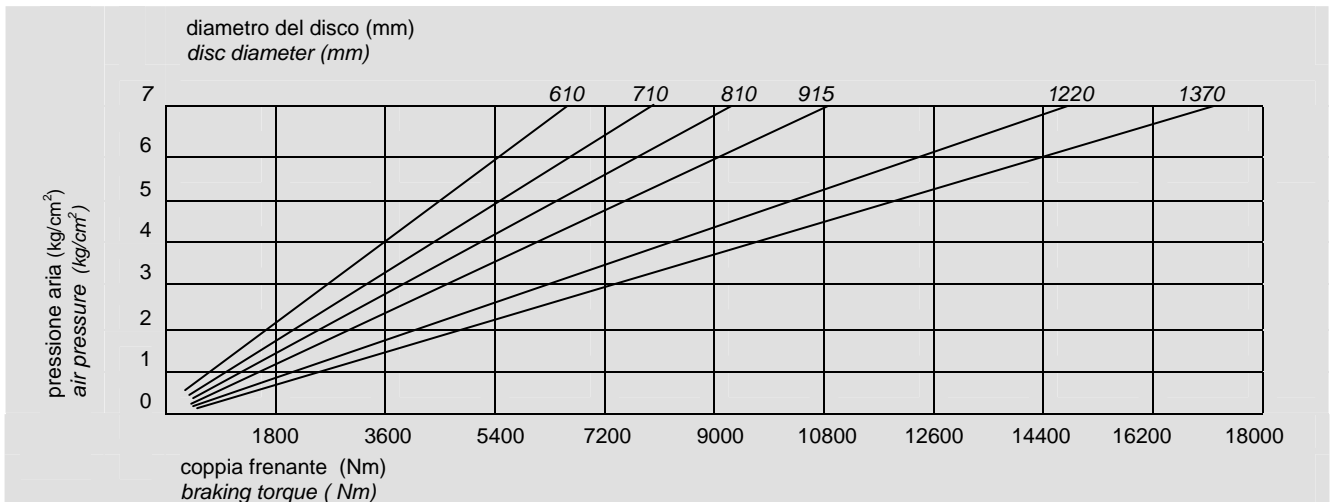


**FRENO A PINZA  
PNEUMATICO POSITIVO  
Tipo SPR 035**

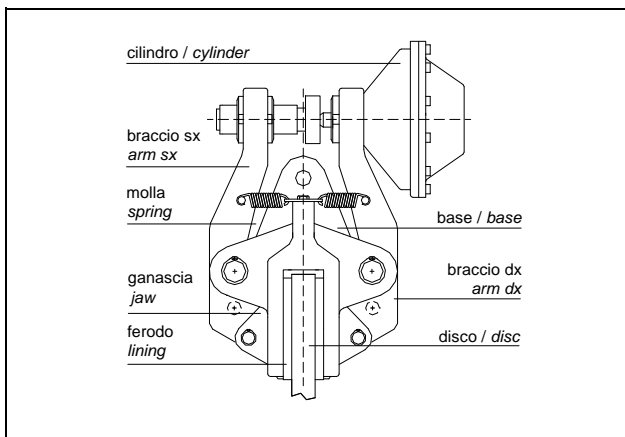
**PNEUMATIC CALIPER  
BRAKE  
Type SPR 035**

**PRESTAZIONI (7bar) • PERFORMANCES (7 bar)**

| tipo - size | forza F – force F (N) | Ø disco – disc Ø (mm) | coppia M – torque M (Nm)            | V aria - air V (dm <sup>3</sup> ) | peso - weight (kg) |
|-------------|-----------------------|-----------------------|-------------------------------------|-----------------------------------|--------------------|
| SPR 035     | 27000                 | 610 ÷ 1370            | $M = F \times (\text{Ø}/2 - 0,065)$ | 0,8                               | 48                 |



**NOME PARTICOLARI • PARTS NAME**



**ESEMPIO MONTAGGIO • MOUNTING EXAMPLE**

